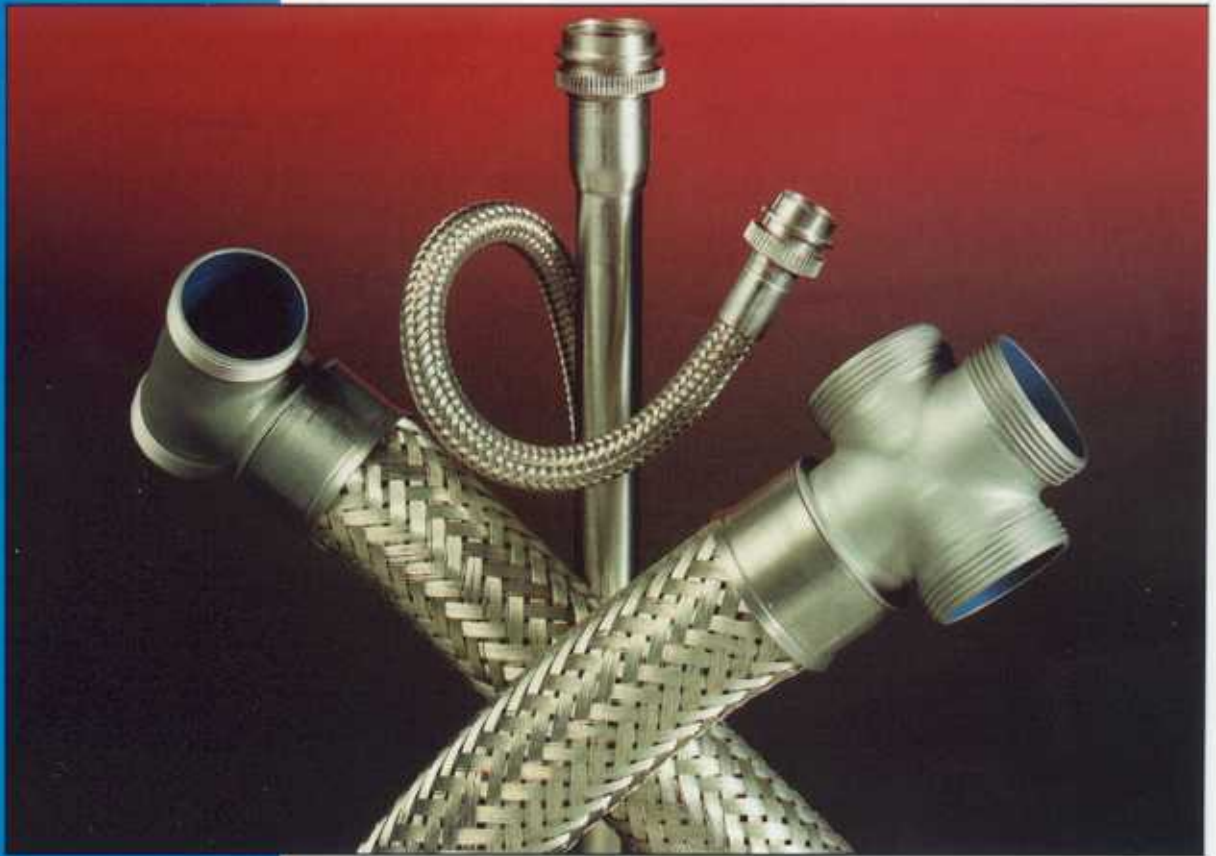


008 3892-YH

ICORE



ICORE INTERNATIONAL LTD.



HY-SPEC 300

- Corrosion Resistant
- Lightweight
- Wide Temperature Tolerance
- Modular Construction
- Excellent Screening
- Compatible with System Fifty

HY-SPEC 300

HY-SPEC 300 is a conduit system utilising lightweight stainless steel fittings, these provide excellent corrosion resistance with high temperature performance. The modular construction allows "specials" to be produced, so components can be tailored to individual customer needs.

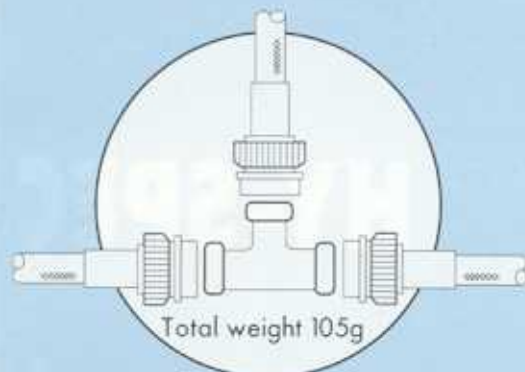
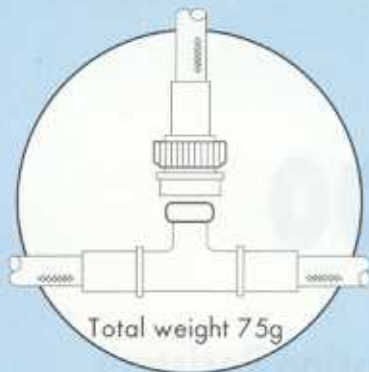
HY-SPEC 300 retains the excellent screening and lightning strike protection performance achieved by Icore's System Fifty with which it is compatible. The repairability, through re-enterability, is retained by the HY-SPEC system, providing ample opportunity for wiring modifications or connector replacement.

The versatile modular design is achieved by producing elbows and transitions with a wide variety of terminating styles, crimp tailform; male thread; female thread; extended bulkhead thread etc. Individual requirements can be met by selecting and mixing termination configurations.

The inclusion of tailforms as integral parts of transitions and elbows, allows the number of components, the system weight and the length of rigid section to be reduced. A typical example is the substitution of a tailform for a male thread on an elbow or transition adaptor. A typical weight saving can be seen below.



WEIGHT OPTIMIZATION WITH HY-SPEC 300



30% REDUCTION IN WEIGHT

The system is designed for use in aggressive corrosion environments, or where severe mechanical damage or high temperatures compromise the use of aluminium.

Icore International - continuously evolving to achieve the highest standards of performance and safety in any environment.

ICORE



ICORE INTERNATIONAL LTD.

ICORE INTERNATIONAL, Leigh Road, Slough, Berks, SL1 4BB
Tel: 07 53 57 4134 Fax: 07 53 823674

Icore International is a wholly owned subsidiary of Smiths Industries plc.